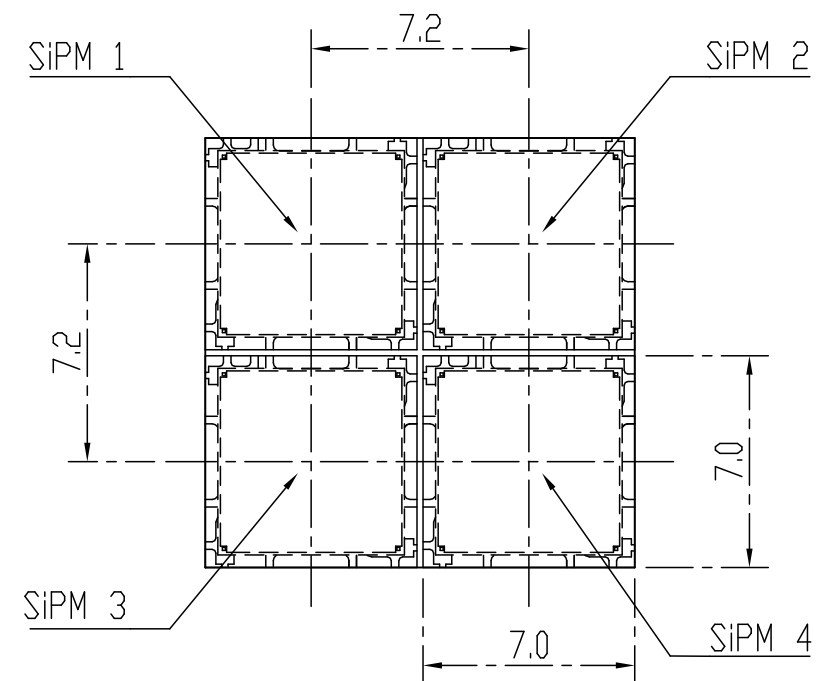
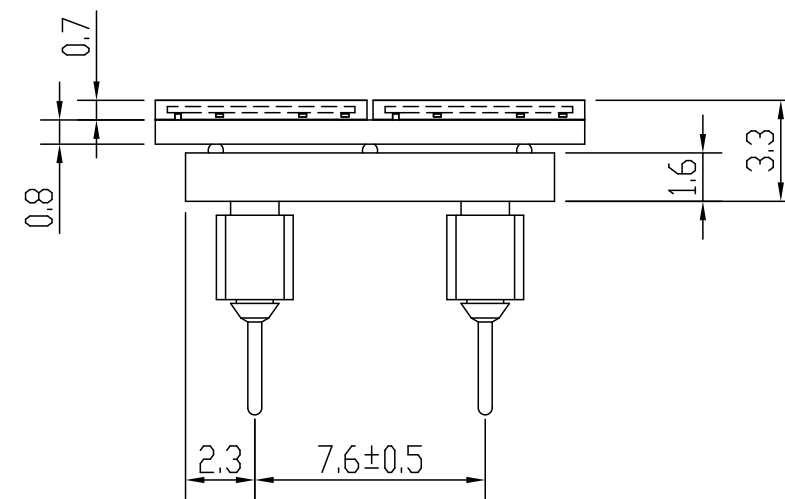


Bottom View

Side View 1



Top View



Side View 2

Pin Assignments	
Pin #	Function
1	SiPM1 Anode
2	Common Cathode
3	SiPM3 Anode
4	Common Cathode
5	Common Cathode
6	SiPM4 Anode
7	Common Cathode
8	SiPM2 Anode

All Dimensions ± 0.1mm Unless Otherwise Stated

DATE	07 Sep 2016	REVISION	E	SCALE	4 : 1
SensL Technologies Ltd					Sheet
www.sensl.com					1 of 1
DWG. NO:	SND0125	DO NOT SCALE	ALL DIMENSIONS IN MM		
TITLE:					
ArrayC-60035-4P-EVB					
PROJECTION:					