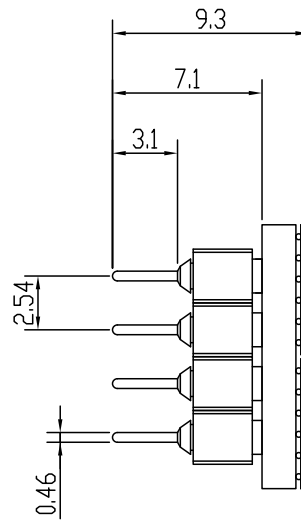
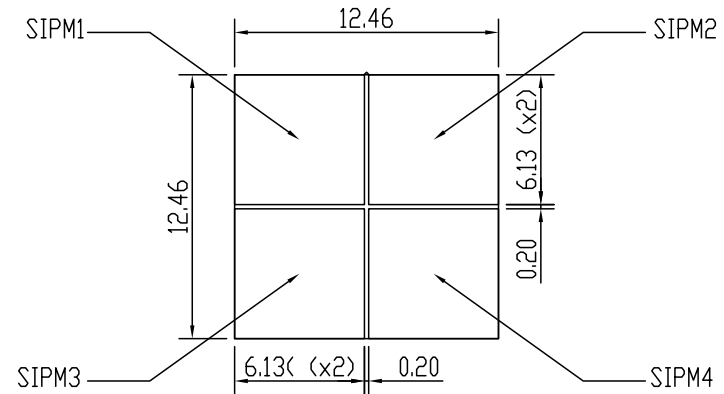


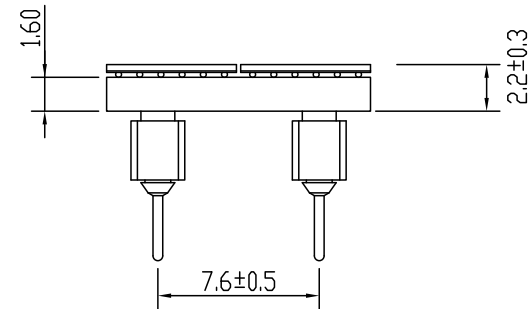
Bottom View



Side View 1



Top View



Side View 2

Pin Assignments	
Pin #	Function
1	SiPM1 Anode
2	Common Cathode
3	SiPM3 Anode
4	Common Cathode
5	Common Cathode
6	SiPM4 Anode
7	Common Cathode
8	SiPM2 Anode

PRELIMINARY

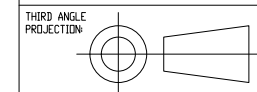
DATE: 13 Feb 2018 | DWG. NO: SND0230 | REVISION A
TITLE:

ArrayJ-60035-4P-PCB

ALL DIMENSIONS ARE IN mm
GENERAL TOLERANCE (UNLESS SPECIFIED) ±0.1mm
DRAWING IS SUBJECT TO CHANGE WITHOUT NOTICE | DO NOT SCALE

SensL Technologies Ltd
www.sensl.com

Sheet
1 of 1



sensL
sense light