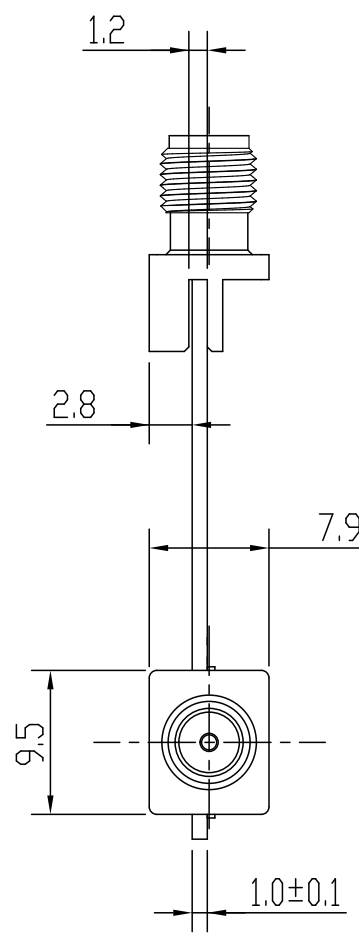
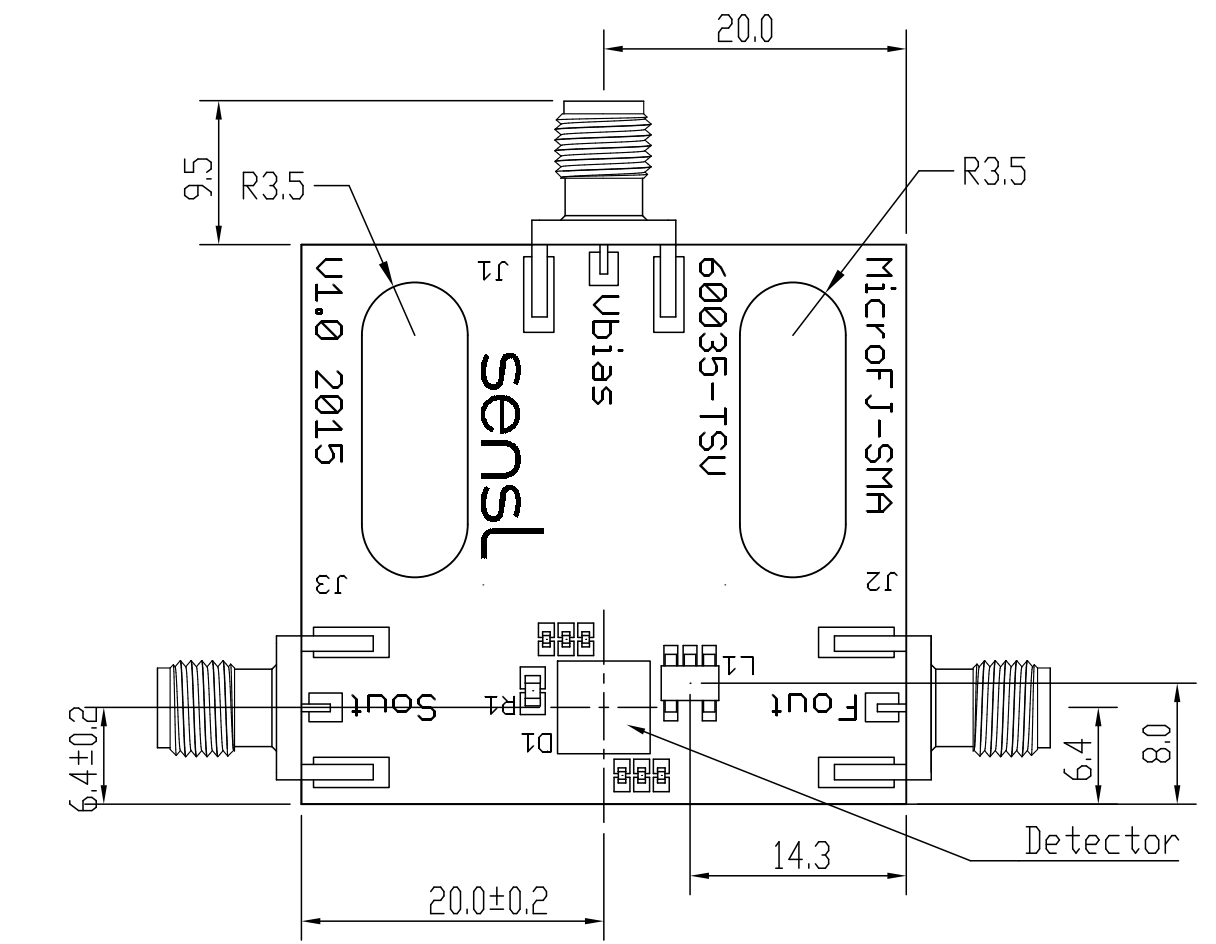


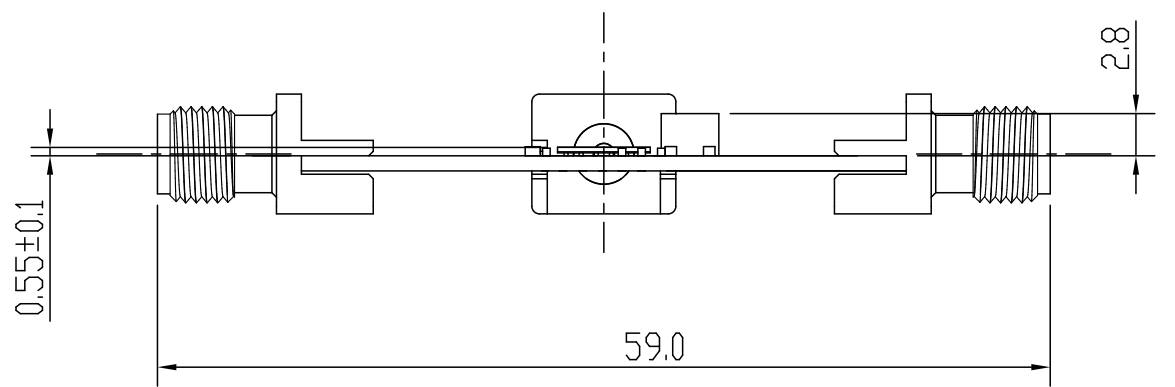
Bottom View



Side View



Top View



Side View

All dimensions +/- 0.5mm tolerance unless otherwise stated

SMA Assignments	
SMA ID	Description
VBias	Bias Voltage
Sout	Standard Output
Fout	Fast Output

DATE	12 APR 2016	REVISION	D	SCALE	2 : 1
SensL Technologies Ltd www.sensl.com					Sheet 1 of 1
DWG. NO:	SND0150	DO NOT SCALE	ALL DIMENSIONS IN MM		
TITLE: <b>MicroFJ-SMA-60035-TSV</b>					
PROJECTION:					