

Product Option: C-Mount Adapter

Rev 1.1, August 2007

Overview

SensL offers the following C-Mount Adapter for interfacing SPMMini and PCDMini modules to other C-Mount terminated products.

Standard Specifications

Parameter	Description
Connector Type	Male Threaded C Mount
Material	Anodized Aluminum
C-Mount Thread	1 Inch Diameter – 32 Threads per Inch

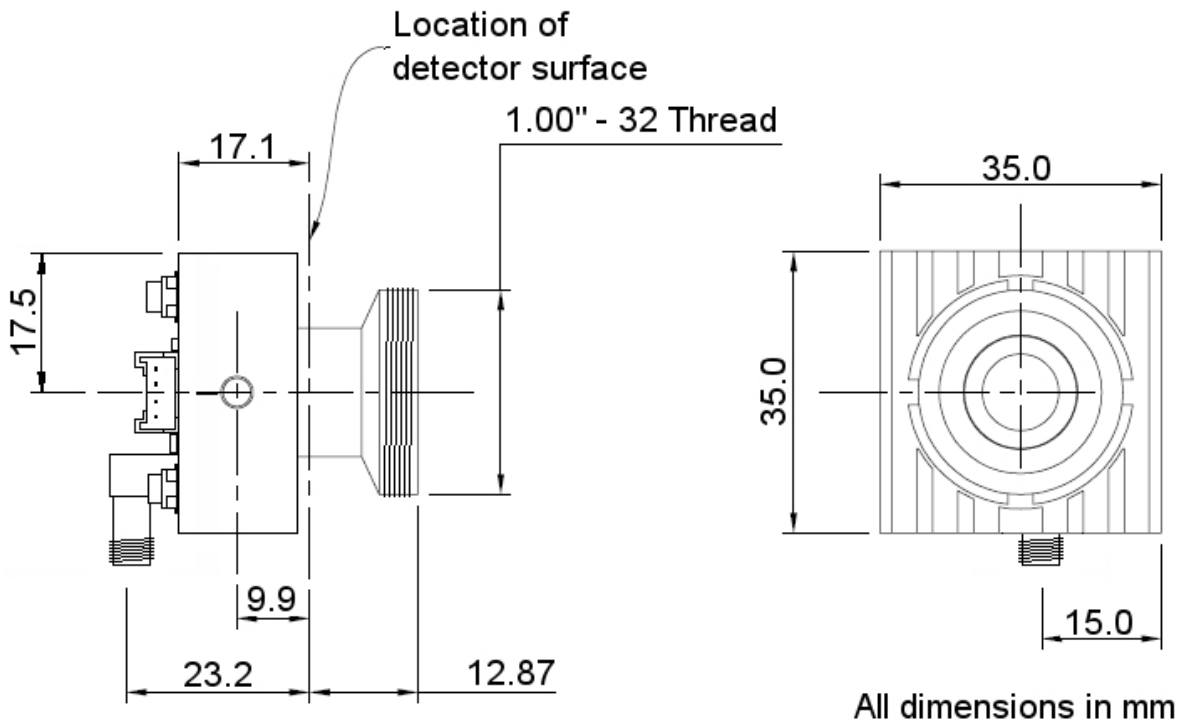


Figure 1. SPMMini and PCDMini C-Mount